



# Booze Boyz

This whiskey bottle is designed to serve as a personal signature.

The elaborate crest is filled with symbols drawing from experiences and aspects of my life.

For example, the stylized roman numeral for three floats above the crest, representing me carrying on my Grandfather's name as David the Third.



David Yates  
Irish Whiskey

Booze Boyz

# SINGLE MALT IRISH WHISKEY

AGED 23 YEARS

Crafted by

A handwritten signature in black ink that reads "David Yates". The signature is stylized and cursive, with the first name "David" written in a more upright, blocky style and "Yates" in a flowing cursive script.

Bottled in GALAWAY

750  
ml

---

44%  
alc./vol.

Batch  
No. 01

---

Bottle  
No. 01

David Yates  
Irish Whiskey

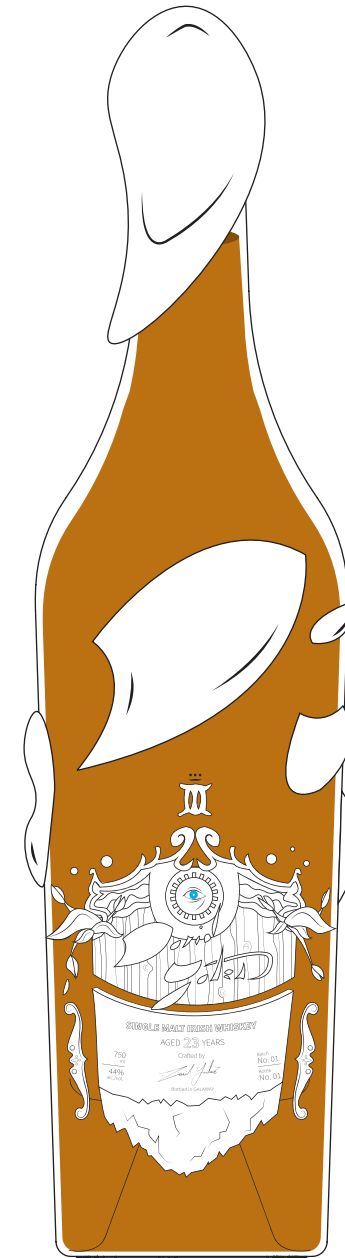
# Booze Boyz



The decorative blotches on the bottle consist of the above logo, wrapped around the exterior of the bottle.

The black outlines are for clarity in this document only. The final products design will be done through extrusions.

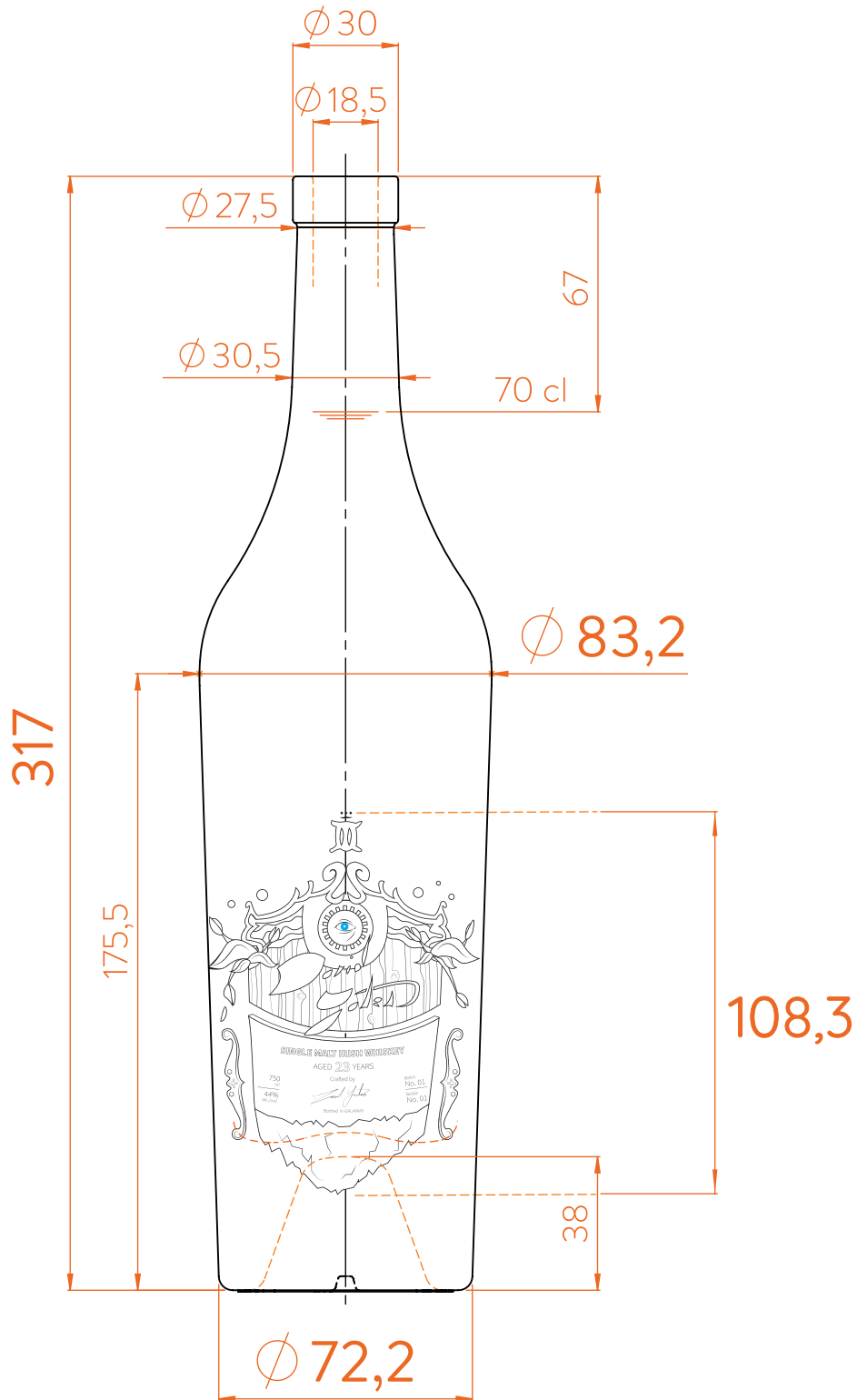
The only colour on the bottle will be the bright blue eye at the top of the crest.



David Yates  
Irish Whiskey

# Booze Boyz TECH SHEET

Sample bottle from ESTAL  
Bottle type: Da Atlas



David Yates  
Irish Whiskey